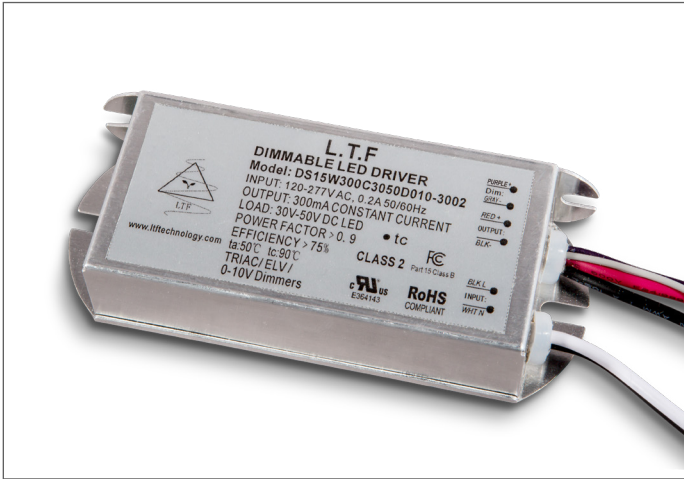


**UNIDRIVER**

**20W DS20W 100-305V Series**  
Constant Current - Constant Voltage



Efficiency	>85%
Power Factor	>95%
Case TC	90°C Max.
Protection	Input / Output
Storage	-30°C / +90°C
Humidity	95% RH Max.
IP Rating	IP 67
Class	Class 2
Dimming	Triac / ELV / 0-10V
Output Voltage or Constant Current	100V - 305V or 350mA - 1400mA



- Universal Input 100 - 305V AC 50/60Hz
- True Tri Mode Dimming at all input voltages Triac, ELV & 0-10V
- Smooth, flicker free dimming 100%~0.1%
- Class 2 power supply
- Isolated output power per NEC and UL safety requirements

**FEATURES**

- UL & ETL recognized/listed, meets UL 8750, 1310 requirements
- Auto-reset; short circuit, overload and thermal protection
- Low profile, small form factor, junction box mountable
- Efficient, High power factor >0.90

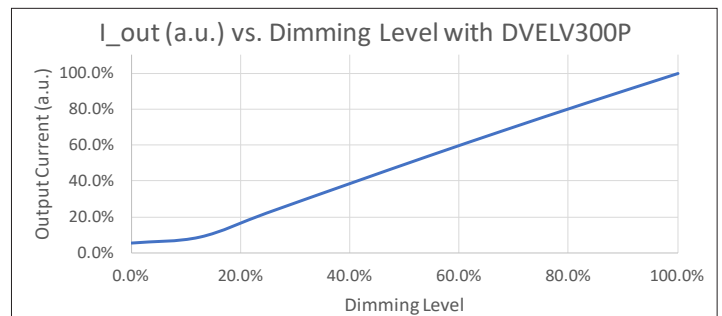
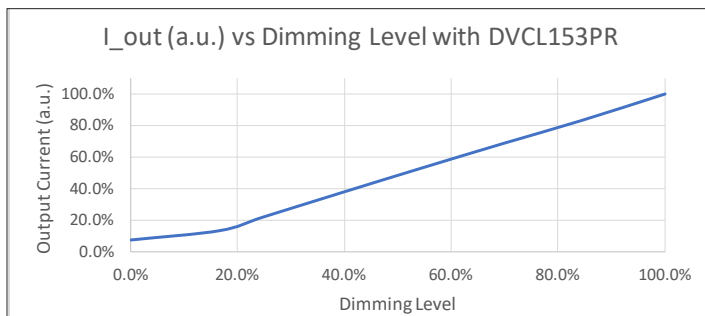
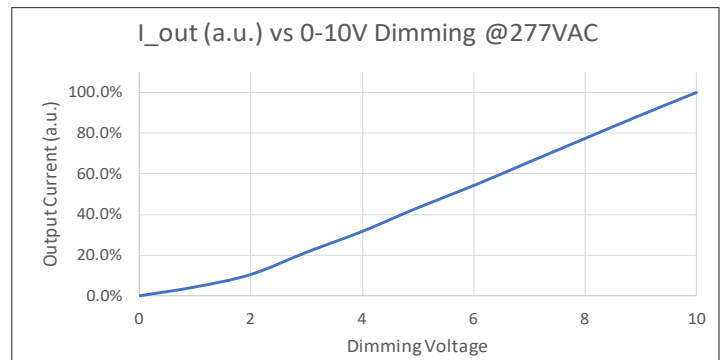
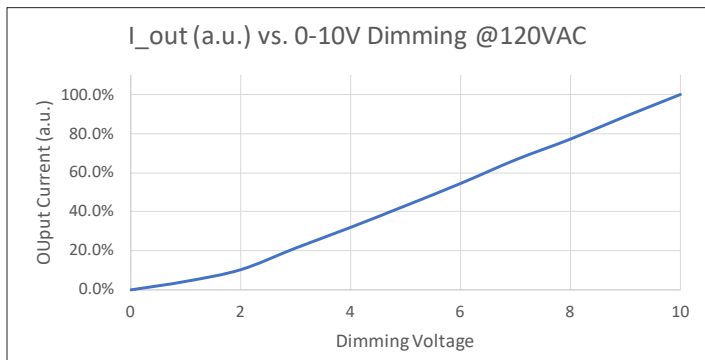


**ELECTRICAL SPECIFICATIONS**

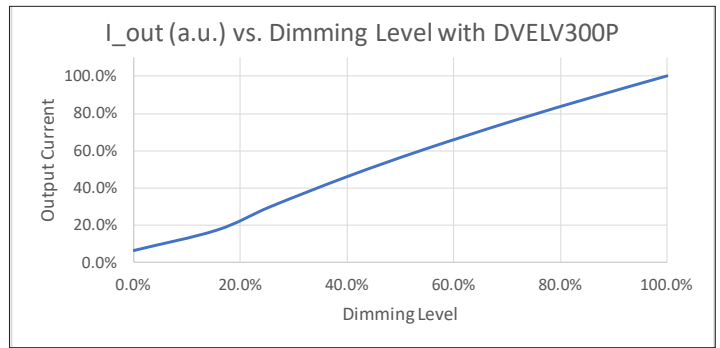
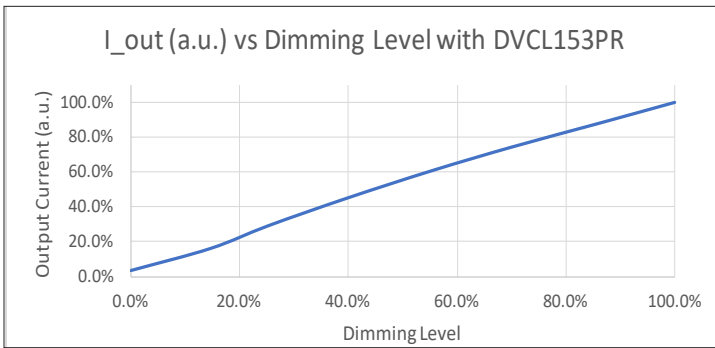
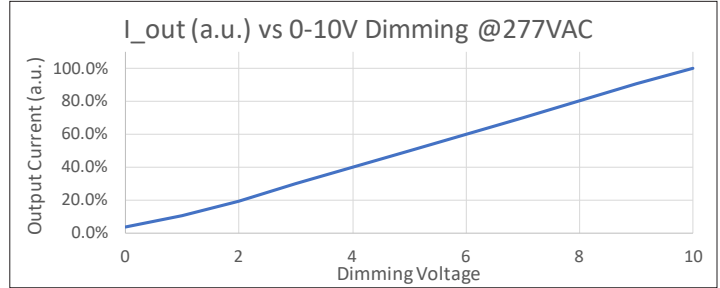
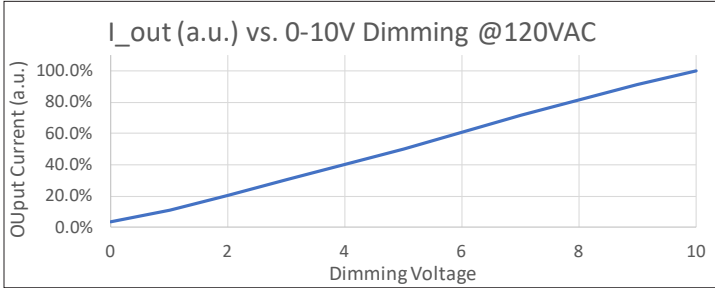
Constant Current				
Model Number	Input Voltage	Output Voltage	Output Current	Available Form Factor
DS20W350C3058UD	100 - 305V AC 50/60 Hz >0.90 PF < 20% THD	30V - 58VDC	350mA	E, BF1, LI1, F3, SM1
DS20W400C2542UD		25V - 42VDC	400mA	E, BF1, LI1, F3, SM1
DS20W440C2045UD		20V - 45VDC	440mA	E, BF1, LI1, F3, SM1
DS20W500C2040UD		20V - 40VDC	500mA	E, BF1, LI1, F3, SM1
DS20W600C1533UD		15V - 33VDC	600mA	E, BF1, LI1, F3, SM1
DS20W700C1528UD		15V - 28VDC	700mA	E, BF1, LI1, F3, SM1
DS20W750C1527UD		15V - 27VDC	750mA	E, BF1, LI1, F3, SM1
DS20W1000C1020UD		10V - 20VDC	1000mA	E, BF1, LI1, F3, SM1
DS20W1100C1018UD		10V - 18VDC	1100mA	E, BF1, LI1, F3, SM1
DS20W1400C1014UD		10V - 14VDC	1400mA	E, BF1, LI1, F3, SM1

Constant Voltage				
Model Number	Input Voltage	Output Voltage	Output Current	Available Form Factor
DS20W12VUD	100 - 305V AC 50/60 Hz > 0.90 PF < 20% THD	12VDC	1700mA	SM1, LS1, BF, BF1, F3
DS20W24VUD		24VDC	830mA	SM1, LS1, BF, BF1, F3

### DIMMING CURVE CHARTS (constant current)



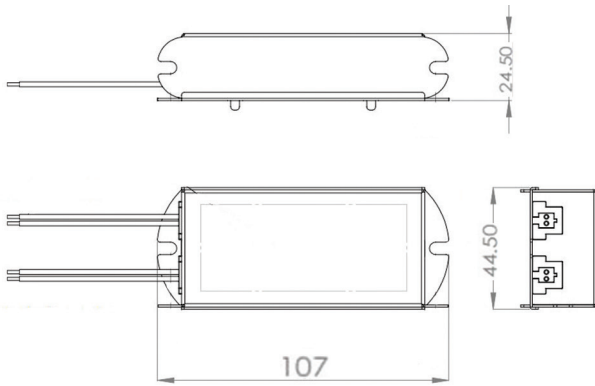
### DIMMING CURVE CHARTS (constant voltage)



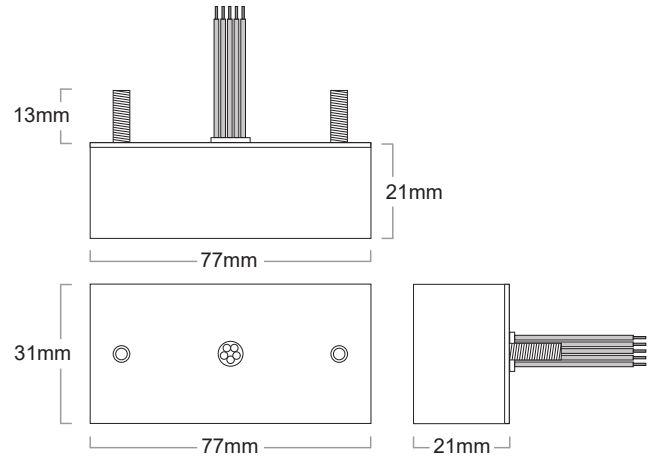
### MECHANICAL SPECIFICATIONS

FORM FACTOR	DIMENSIONS
E	107 x 44.50 x 24.50mm
BF	77 x 31 x 21mm
BF1	77 x 31 x 21mm
LI1	108 x 40 x 22mm
LS1	177 x 30 x 20mm
F3	71.6 x 62.6 x 30mm
SM1	107 x 24.5 x 44.5mm

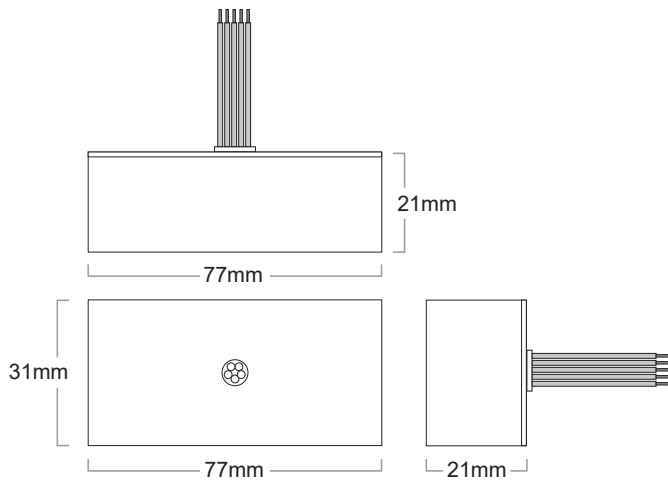
**E**



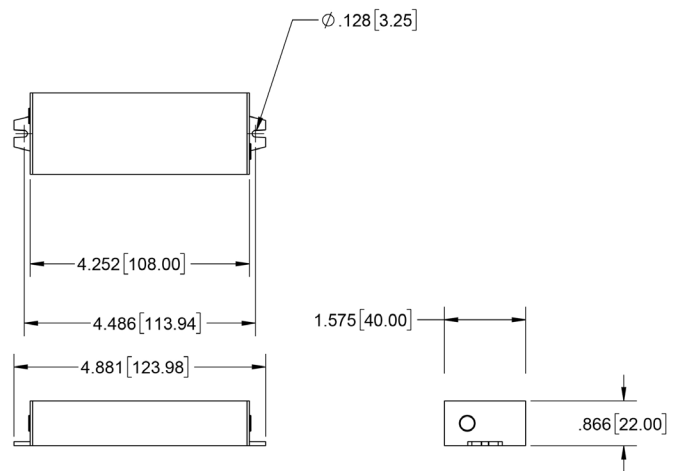
**BF**



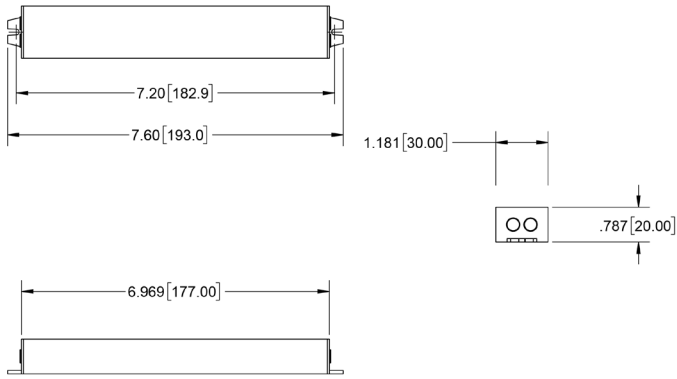
**BF1**



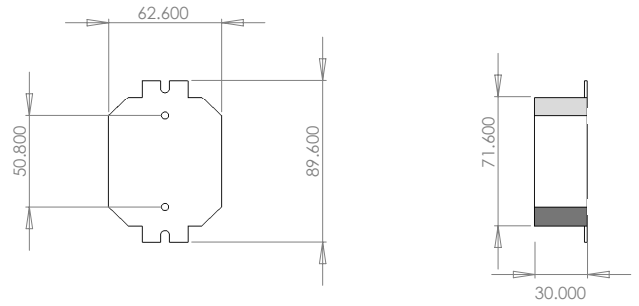
**LI1**



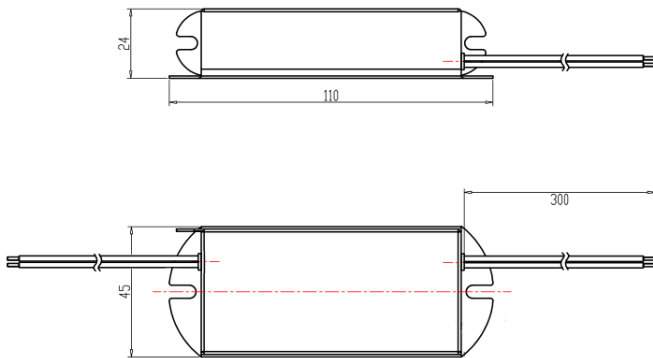
**LS1**



**F3**

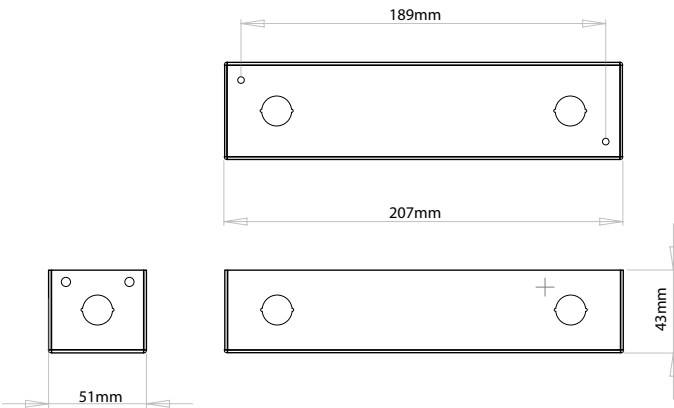


**SM1**



REMOTE ENCLOSURE OPTIONS		
MODEL NUMBER	REMOTE ENCLOSURE	DIMENSIONS
LDS20WXXXXRE	G1	207 x 50.8 x 43mm
LDS20WXXXXREO	G4	238 x 66 x 48mm

**G1**



**G1**

